

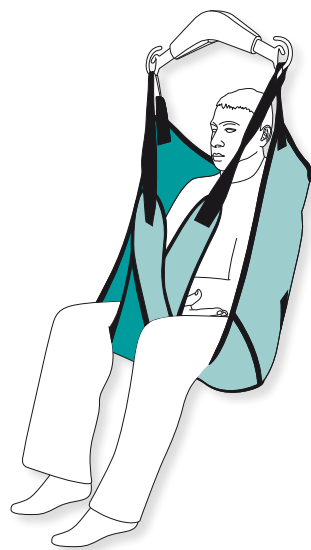
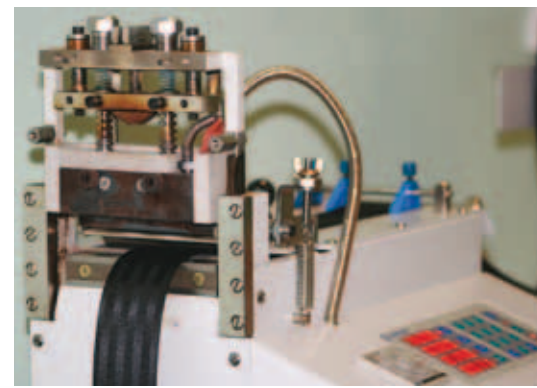
Innovation in Patient Handling

Allegro
CONCEPTS PTY LTD
Manufacturers of Patient Lifting
and Handling Equipment



Allegro Concepts is committed to providing long term solutions for injury prevention. We are dedicated advocates of the 'no-lift policy' in manual handling. Our excellent range of patient lifting slings will work towards the elimination of injuries that result from patient lifting, transferring and re-positioning. Allegro Patient Lifting slings complement the Allegro range of Patient Lifters:

- Sonata 150
- Alto lift 200
- Salsa 200 Standing Transfer Hoist



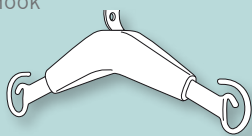
General Purpose Slings

Allegro General Purpose Slings are designed to be simple and safe to use for both home and institutional patient lifting. The slings are manufactured from polyester fabric or mesh (suitable for bathing) with internal padding in pressure areas and utilise webbing attachment loops. The webbing loops are colour coded for sizing to allow easy sling selection and identification.

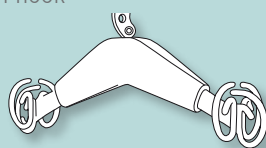
Webbing loops of varying lengths are provided at each connection point to allow a lay back posture for the patient or, by using the shortest loops, a higher lift.

General Purpose Slings may only be applied to lifting hoists fitted with a yoke attachment. Yoke Attachments available in:

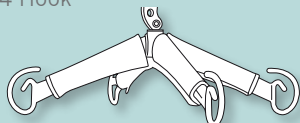
- 2 Hook



- Tri-hook



- 4 Hook



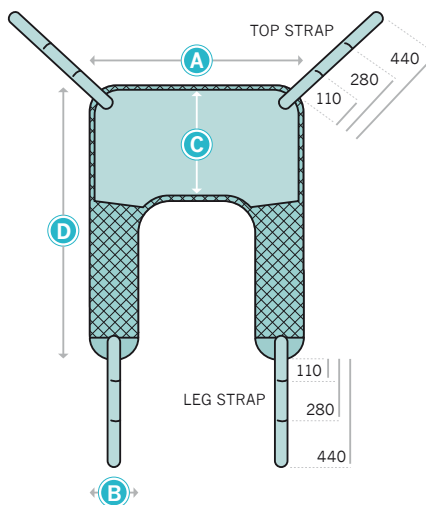
General Purpose Sling

Six sizes in fabric or mesh.

- Provides easy fitting and good support for patients with some upper body control.
- Recommended for general lifting.

| | XS | S | M | L | XL | XXL |
|----------|--------|-------|-------|-------|--------|---------|
| A | 790 | 790 | 890 | 1110 | 1240 | 1400 |
| B | 210 | 230 | 240 | 260 | 270 | 290 |
| C | 470 | 460 | 530 | 650 | 730 | 750 |
| D | 1120 | 1130 | 1190 | 1390 | 1520 | 1590 |
| FABRIC | GP01XS | GP01S | GP01M | GP01L | GP01XL | GP01XXL |
| MESH | GP02XS | GP02S | GP02M | GP02L | GP02XL | GP02XXL |

YOKE ATTACHMENT (SPREADER BAR)



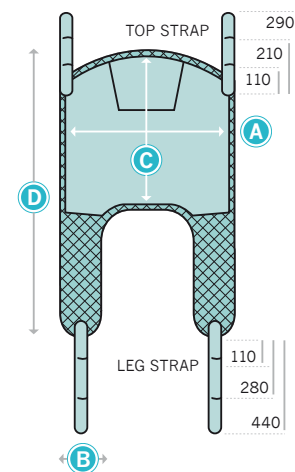
General Purpose Sling with head support

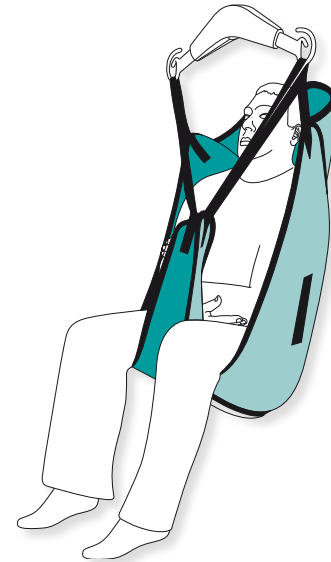
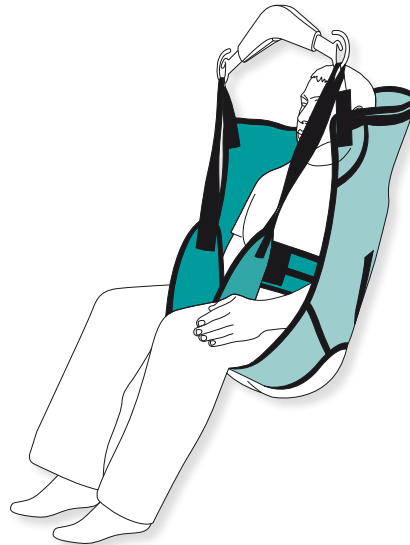
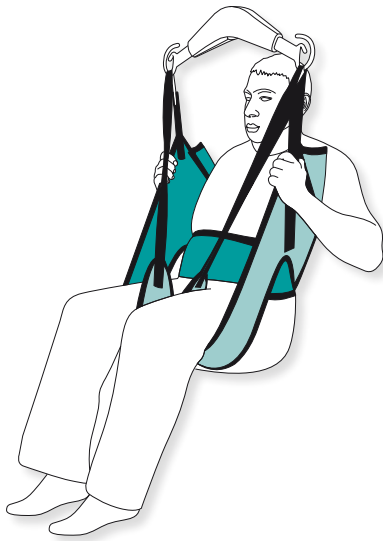
Six sizes in fabric or mesh.

- Sling is easily fitted to a patient in bed or a chair, providing excellent upper body and head support.
- Recommended for lifting from the floor and general lifting of the less secure patient.

| | XS | S | M | L | XL | XXL |
|----------|----------|---------|---------|---------|----------|-----------|
| A | 820 | 790 | 920 | 1110 | 1270 | 1360 |
| B | 210 | 230 | 240 | 260 | 270 | 290 |
| C | 750 | 780 | 920 | 1000 | 1020 | 1050 |
| D | 1310 | 1280 | 1410 | 1630 | 1680 | 1780 |
| FABRIC | GPHS01XS | GPHS01S | GPHS01M | GPHS01L | GPHS01XL | GPHS01XXL |
| MESH | GPHS02XS | GPHS02S | GPHS02M | GPHS02L | GPHS02XL | GPHS02XXL |

YOKE ATTACHMENT (SPREADER BAR)





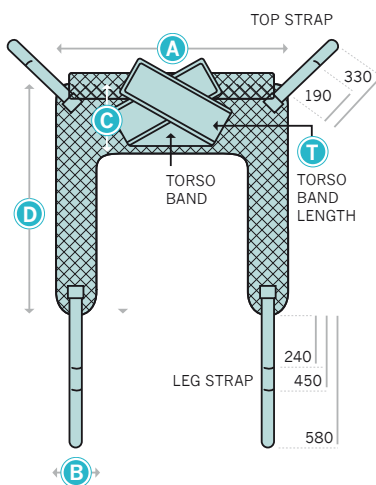
Care Sling

Three sizes in fully quilted fabric only.

- Excellent for transfers onto a toilet as it provides an open area from the middle of the back to the middle of the thigh.
- Recommended for general toilet transfers.

| | S | M | L |
|--------|------|------|------|
| A | 750 | 910 | 990 |
| B | 150 | 160 | 160 |
| C | 330 | 340 | 350 |
| D | 830 | 1080 | 1010 |
| T | 1160 | 1400 | 1470 |
| FABRIC | C01S | C01M | C01L |

YOKE ATTACHMENT (SPREADER BAR)



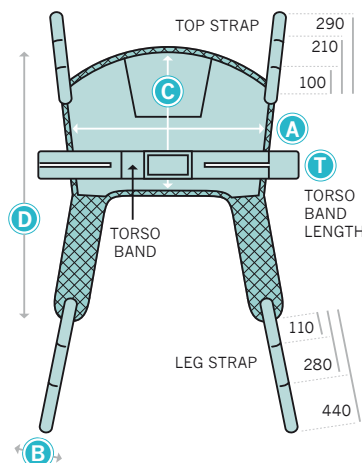
Care Sling with head support

Six sizes in fabric or mesh.

- Sling provides easy removal of clothing for toilet transfers.
- Recommended for general toilet transfers for the less secure patient.

| | XS | S | M | L | XL | XXL |
|--------|---------|--------|--------|--------|---------|----------|
| A | 680 | 850 | 1020 | 1020 | 1200 | 1220 |
| B | 180 | 210 | 220 | 200 | 220 | 220 |
| C | 540 | 620 | 700 | 790 | 810 | 790 |
| D | 860 | 1180 | 1220 | 1380 | 1430 | 1460 |
| T | 970 | 1130 | 1190 | 1320 | 1420 | 1650 |
| FABRIC | CHS01XS | CHS01S | CHS01M | CHS01L | CHS01XL | CHS01XXL |
| MESH | CHS02XS | CHS02S | CHS02M | CHS02L | CHS02XL | CHS02XXL |

YOKE ATTACHMENT (SPREADER BAR)



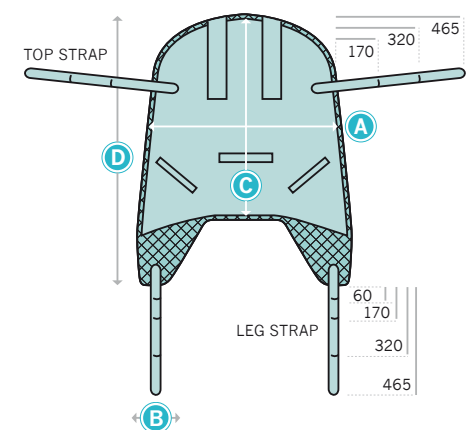
Junior Sling

Three sizes in mesh only.

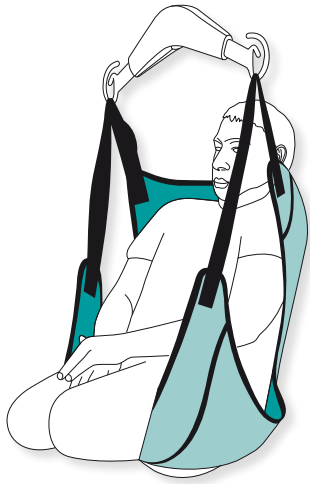
- Provides easy fitting and good support for children or small adults.
- Removable bracing and gusseted base section provide maximum support.

| | XS | S | M |
|------|-------|------|------|
| A | 590 | 710 | 760 |
| B | 110 | 120 | 120 |
| C | 710 | 920 | 930 |
| D | 1050 | 1240 | 1380 |
| MESH | J02XS | J02S | J02M |

YOKE ATTACHMENT (SPREADER BAR)



WARNING The Care Sling should only be used if the patient has sufficient trunk and upper limb control to maintain balance. The top of the sling must pass below the armpits to maximise stability. Excessive pressure under the armpits should be avoided.



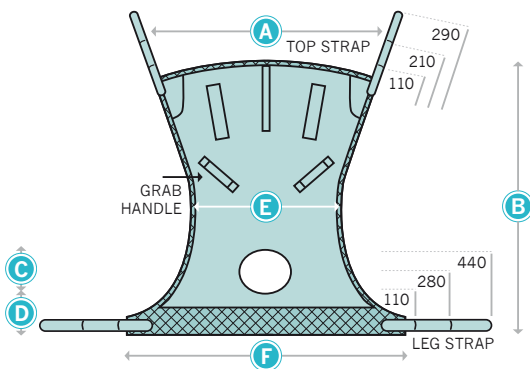
Amputee Sling

Two sizes in fabric or mesh.

- Sling incorporates a head support and commode aperture.
- Recommended for lifting patients with high level amputations.

| | M | L |
|--------|------|------|
| A | 860 | 1050 |
| B | 1160 | 1390 |
| C | 190 | 220 |
| D | 210 | 190 |
| E | 650 | 740 |
| F | 1030 | 1120 |
| FABRIC | A01M | A01L |
| MESH | A02M | A02L |

YOKE ATTACHMENT (SPREADER BAR)



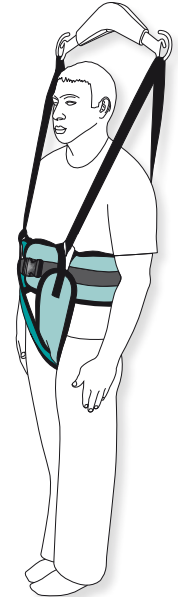
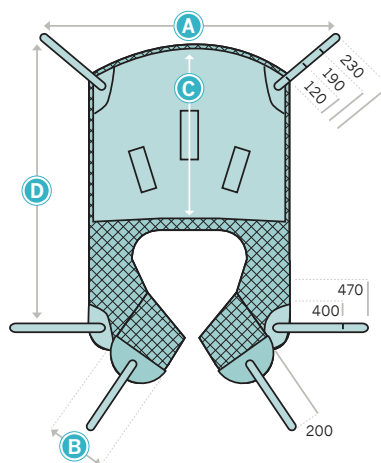
Deluxe Leg Sling

Three sizes in fabric or mesh.

- Provides maximum support to hips and thighs.
- Recommended for patients with compromised hip joints and amputees (subject to assessment).

| | S | M | L |
|--------|-------|-------|-------|
| A | 780 | 880 | 1070 |
| B | 170 | 180 | 180 |
| C | 820 | 920 | 1010 |
| D | 1180 | 1240 | 1360 |
| FABRIC | DL01S | DL01M | DL01L |
| MESH | DL02S | DL02M | DL02L |

YOKE ATTACHMENT (SPREADER BAR)



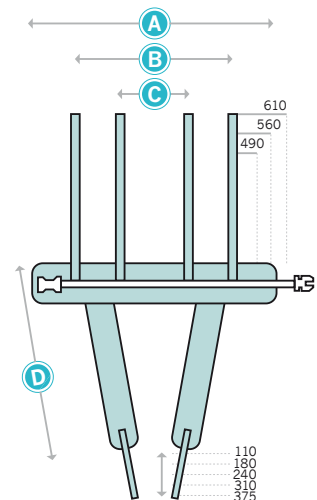
Walking Sling

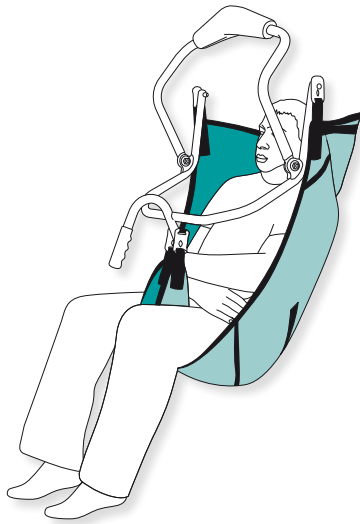
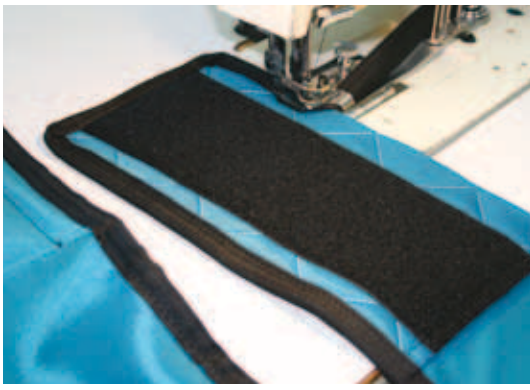
Three sizes in fully quilted fabric only.

- This sling helps support and assist when walking in the rehabilitation environment.
- Used with Ceiling Track Hoists and compatible Standing Hoists.

| | S | M | L |
|--------|------|------|------|
| A | 880 | 1060 | 1230 |
| B | 500 | 660 | 850 |
| C | 240 | 300 | 310 |
| D | 690 | 840 | 1050 |
| FABRIC | W01S | W01M | W01L |

YOKE ATTACHMENT (SPREADER BAR)





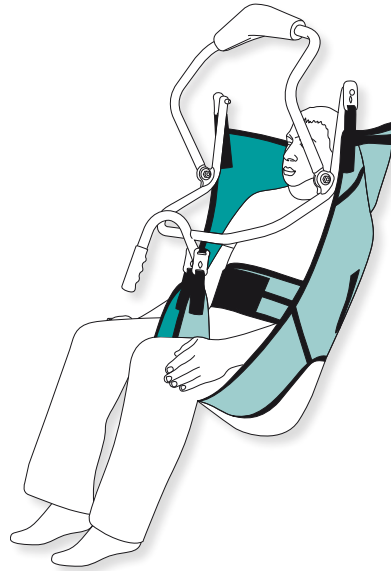
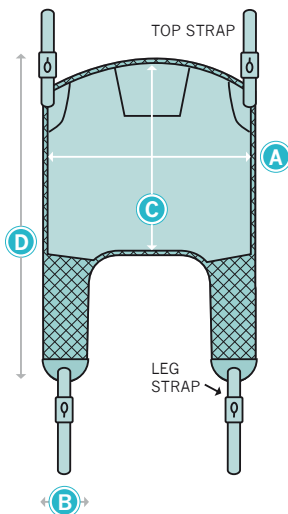
Pivot Sling

Six sizes in fabric or mesh.

- Comfortable, supportive sling with easily defined attachment points.
- Recommended for general lifting especially for the larger patient.
- Angle adjustment via Pivot Frame

| | XS | S | M | L | XL | XXL |
|----------|-------|------|------|------|-------|--------|
| A | 720 | 870 | 1000 | 1000 | 1170 | 1320 |
| B | 190 | 230 | 270 | 260 | 270 | 290 |
| C | 580 | 830 | 920 | 1010 | 1090 | 1180 |
| D | 870 | 1220 | 1310 | 1410 | 1540 | 1710 |
| FABRIC | P01XS | P01S | P01M | P01L | P01XL | P01XXL |
| MESH | P02XS | P02S | P02M | P02L | P02XL | P02XXL |

PIVOT FRAME ATTACHMENT (TILT FRAME)



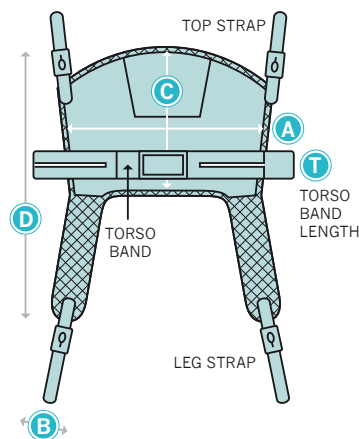
Pivot Care Sling

Six sizes in fabric or mesh.

- Sling provide easy removal of clothing for toilet transfers.
- Recommended for general toilet transfers for the less secure patient.

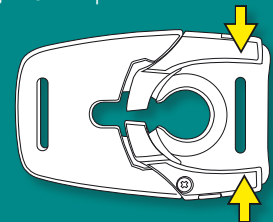
| | XS | S | M | L | XL | XXL |
|----------|--------|-------|-------|-------|--------|---------|
| A | 680 | 840 | 1020 | 1030 | 1220 | 1240 |
| B | 170 | 210 | 220 | 220 | 210 | 210 |
| C | 540 | 630 | 700 | 790 | 830 | 790 |
| D | 870 | 1220 | 1240 | 1360 | 1430 | 1480 |
| T | 980 | 1180 | 1220 | 1320 | 1440 | 1660 |
| FABRIC | PC01XS | PC01S | PC01M | PC01L | PC01XL | PC01XXL |
| MESH | PC02XS | PC02S | PC02M | PC02L | PC02XL | PC02XXL |

PIVOT FRAME ATTACHMENT (TILT FRAME)



E-Clip

The patented E-clip is offered as an option on all Pivot slings and Standing slings. This revolutionary clip provides a mechanical means of ensuring the correct attachment and removes the possibility of inadvertent detachment of the sling. Depression of the side safety levers is the only way the E-clip can be removed. Visual control offers additional safety and wear over time is eliminated as the E-clip does not require a precisely engineered 'friction fit'. The E-clip is strongly recommended when prescribing our quality slings for use on lifters other than those manufactured by Allegro Concepts.

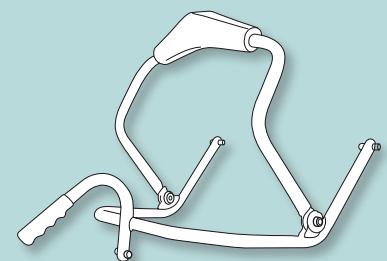


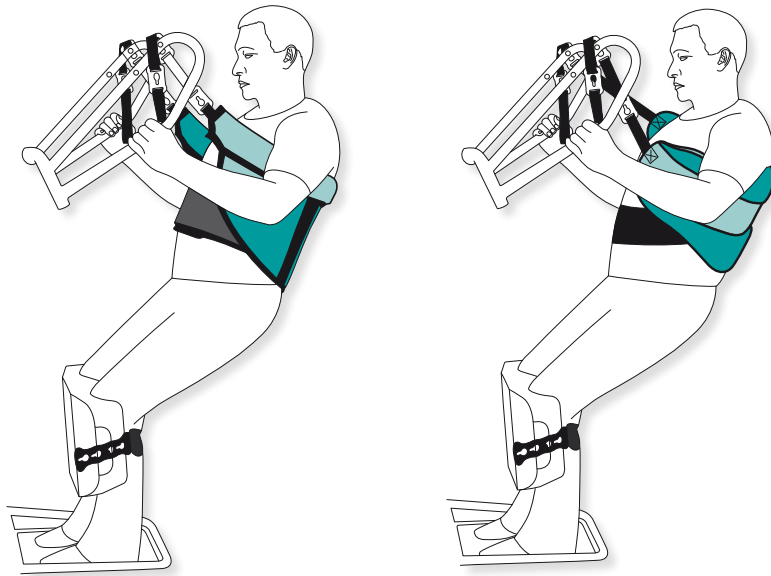
Pivot Slings

Pivot Slings are required for use with Pivot Frame attachments. The slings are manufactured from polyester fabric or mesh (suitable for bathing). These slings allow the patient to be lifted in either a sitting or lying position, ideal for lifting on and off a bed or the floor.

The unique pivot with anti-lock at the end of the boom allows the whole frame to be rocked back and forward to assist correct positioning of the patient. The frame spreads the sling attachment points to ensure the patients hips are not excessively flexed, avoiding the discomfort obese patients sometimes experience with standard slings.

Warning. Pivot Slings must not be used on any attachments other than the Pivot Frame.





Torso Belt Options

Allegro Standing Slings have the option of both a Buckle and Velcro Fastening Torso Belt. The Buckle Belt is able to be tightened after the patient has stood without the need to release the clasp. It is also a superior option for infection control. The double fastening Velcro Belt is designed as a quicker option for both fitting and removal of the Standing Sling.

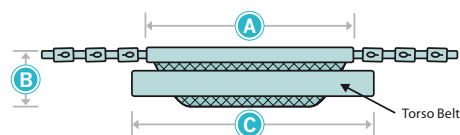
Standing Transfer Sling

Three sizes in fabric only.

- Sling provides easy removal of clothing for toilet transfers.
- Recommended on standing hoists for weight bearing patients only.
- Available with Key-Hole and Loop type attachments.

| | | M | L | XL |
|----------------------|---------------|--------|--------|---------|
| | A | 880 | 1060 | 1220 |
| | B | 290 | 370 | 410 |
| | C BUCKLE BELT | 960 | 1020 | 1220 |
| | C VELCRO BELT | 1180 | 1320 | 1440 |
| KEY-HOLE ATTACHMENT | BUCKLE BELT | STK03M | STK03L | STK03XL |
| | VELCRO BELT | STK04M | STK04L | STK04XL |
| LOOP TYPE ATTACHMENT | BUCKLE BELT | STL03M | STL03L | STL03XL |
| | VELCRO BELT | STL04M | STL04L | STL04XL |

YOKE ATTACHMENT (SPREADER BAR)



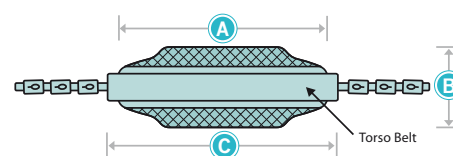
Super Soft Standing Sling

Two sizes in fabric only.

- A softer padded variety of Standing Sling with easy to fit Velcro fastening Neoprene Torso Belt.
- Recommended on Standing Hoists for weight bearing patients only.
- Available with Key-Hole and Loop type attachments.

| | | M | L |
|---------------------|---|--------|--------|
| | A | 920 | 1100 |
| | B | 320 | 320 |
| | C | 1250 | 1500 |
| KEY-HOLE ATTACHMENT | | SSK04M | SSK04L |
| | | SSL04M | SSL04L |

YOKE ATTACHMENT (SPREADER BAR)



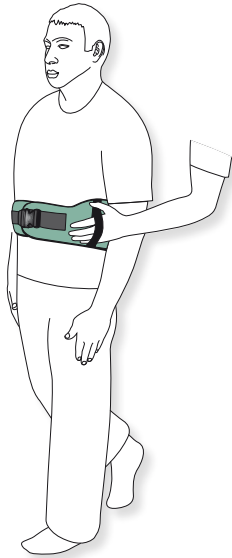
Standing Transfer Slings

The Standing Transfer sling is designed to support a weight bearing yet less than able person from waist level to mid shoulder whilst allowing free movement of the arms. The patient's hands can reach naturally to grip the lift arms as the patient rises.

The Standing Transfer sling will provide adequate support for the patient who requires only minimal assistance for standing.

A Torso Belt provides added security and prevents the sling from riding up the patient's back when maximum support is required.

The sling has the option of both Key-Hole fastening or Loop type attachments. This adds to the versatility of the sling in any environment.



Patient Transfer Belt

Four sizes in fully quilted fabric only.

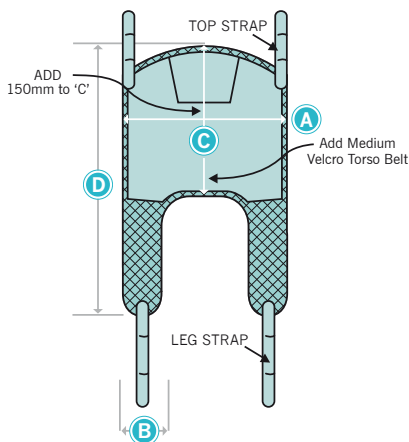
- Provides patient support and reassurance during manoeuvre.
- Non-slip lining will securely grip patients clothing to prevent riding up.
- Recommended for weight bearing patients only.

| | S | M | L | XL |
|--------|-----|------|------|------|
| A | 860 | 1010 | 1150 | 1250 |
| B | 190 | 190 | 190 | 190 |
| FABRIC | PTS | PTM | PTL | PTXL |



Custom Sling – based on Medium General Purpose Head Support in Mesh.

Example to show ways of customising a sling.



Custom Slings

Custom Slings are a specialty of Allegro Concepts, acknowledging that every individual is unique and different. A standard sling can be modified to include additional loops, straps or padding or a complete new sling can be designed. The trained sewing department review all custom slings to ensure they will achieve the best result possible. All that is required is a pattern or picture of the modification advising as many measurements and specifications as possible. The best results will be achieved by basing your modified sling on our existing templates.

Contact Allegro Concepts for your Custom Sling Design form

Ph - 02 6895 2888

Email – sales@allegroconcepts.com.au

Alternatively, go to our website

www.allegroconcepts.com.au

to download a form.

Sling Testing



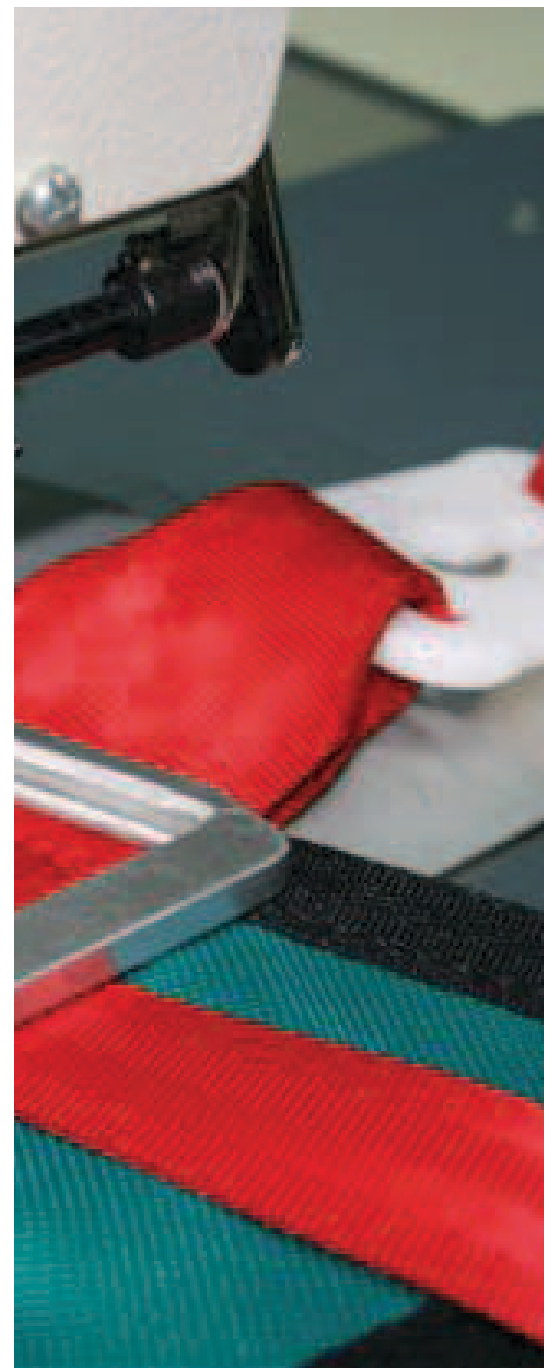
Allegro Slings are manufactured and tested to AS ISO 10535:2002. We also offer a full sling retesting and certification service for continuous quality management systems and auditing purposes.

Woven label



Allegro Concepts slings have a quality woven identification label. This label will not fade over time or from the normal washing process. Important details such as sling

description, serial number and date of manufacture are indelibly marked on the label. This is important for both lifetime traceability and auditing processes.



Sydney Office:

30 James Street
Lidcombe NSW 2141
Ph: 02 9749 7812
Fax: 02 9749 2144

Condobolin Office:

26 Lachlan Street
Condobolin NSW 2877
Ph: 02 6895 2888
Fax: 02 6895 4543

Email: sales@allegroconcepts.com.au

Website: www.allegroconcepts.com.au

Please contact us for further details on the full range of compatible Allegro Patient Lifting Hoists.

Allegro
CONCEPTS PTY LTD

Manufacturers of Patient Lifting
and Handling Equipment

Distributed by

